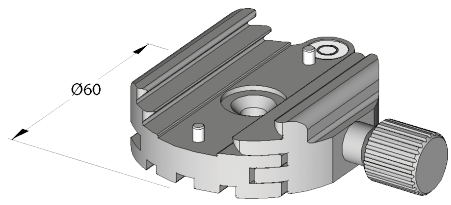
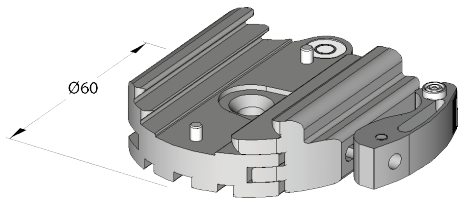


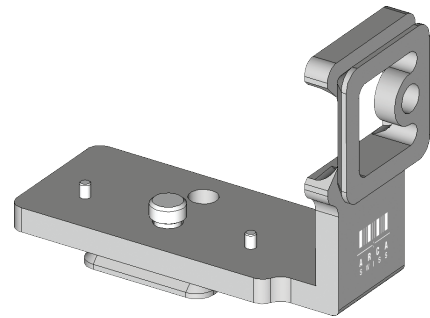
ARCA-SWISS Monoball® Classic System



802002 ⁽¹⁾ Quickset device Classic with 1/4" - 3/8"

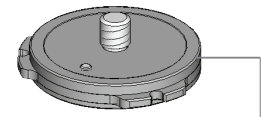


802010 ⁽¹⁾ Quickset device FlipLock® with 1/4" - 3/8"

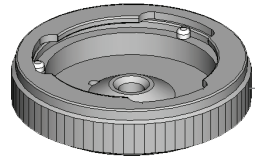


802305 L-bracket Mamiya / PhaseOne 645

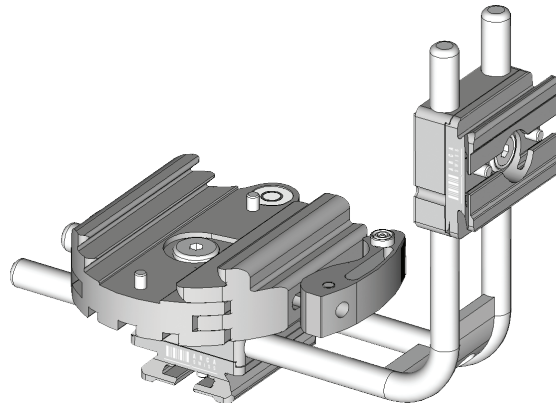
802320.1 Quick-Link Disk only



802320.2 Quick-Link Base only

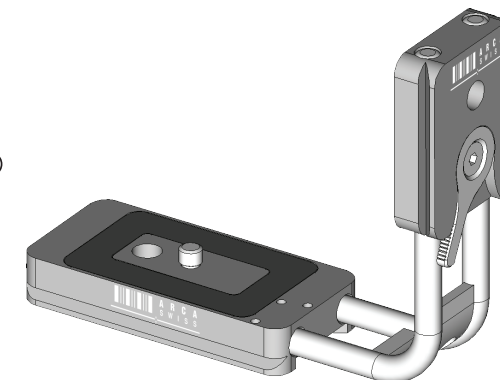


802320 Quick-Link Set (incl. 1 base 3/8" + 1 disk 3/8")



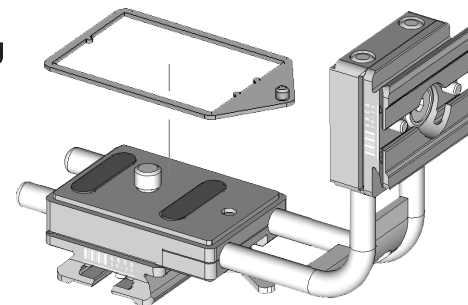
802308.4 ⁽¹⁾ L-bracket Dual-Base ⁽⁴⁾ FlipLock®

802308.3 ⁽¹⁾ L-bracket Dual-Base ⁽⁴⁾ Classic



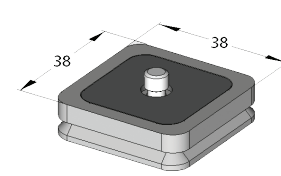
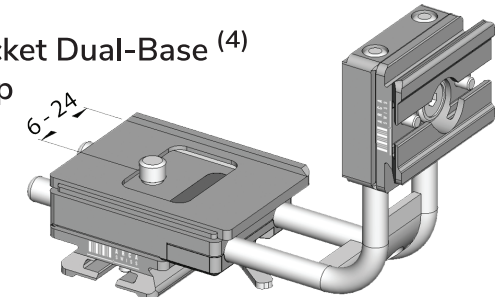
802306 L-bracket classic universal 802306.1 Base plate only

802304.2 Fuji GFX mounting plate for 802304 series

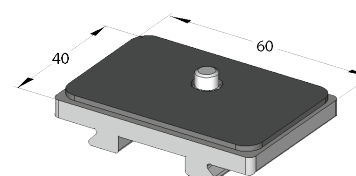


802304 mini L-bracket Dual-Base ⁽⁴⁾ rubberized

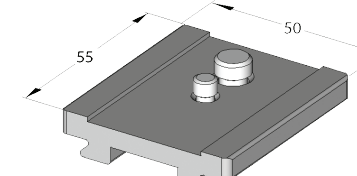
802304.1 mini L-bracket Dual-Base ⁽⁴⁾ anti-twist lip



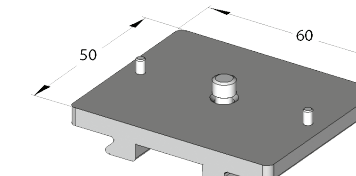
802208 Cameraplate universal square 1/4"



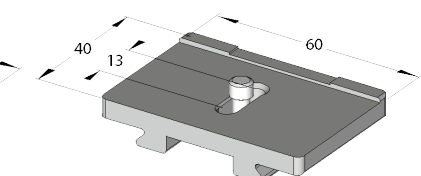
802209 Cameraplate universal 1/4"



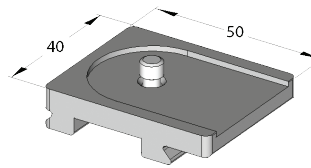
802221 Cameraplate Hasselblad 1/4", 3/8"



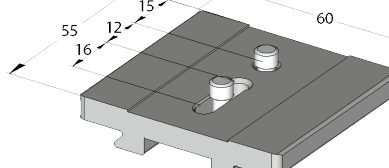
802224 Cameraplate Mamiya



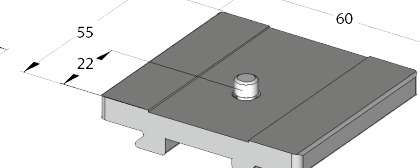
802225 Cameraplate 24x36, 1/4"



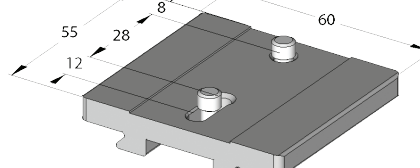
802226 Cameraplate Leica M2->M7



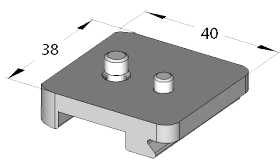
802232 Cameraplate 55mm 2x 1/4", d=12-28



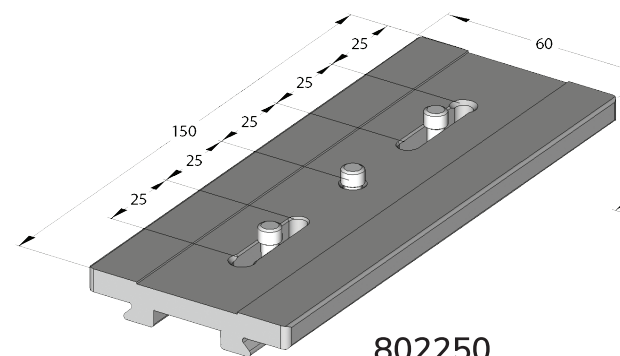
802222 Cameraplate 55mm 1/4"



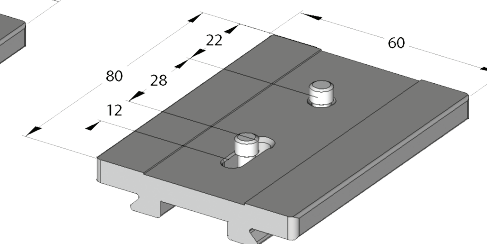
802230 Cameraplate 55mm 2x 1/4", d=28-40



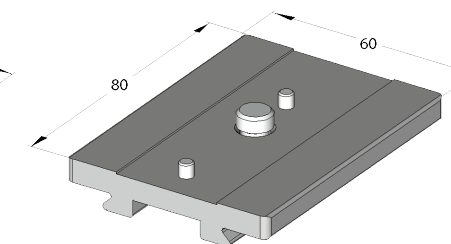
802227 Cameraplate Leica R



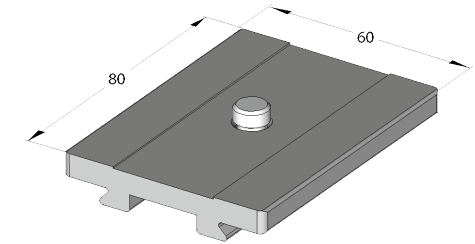
802250 Cameraplate 150mm; 3x 1/4"



802231 Cameraplate 80mm 2x 1/4", d=28-40



802228 Cameraplate Leica T, 3/8"



802210 Cameraplate 80mm 3/8"
802210.1 Cameraplate 80mm 1/4"

units = millimeters

09/2018

⁽¹⁾ Accepts both classic and monoball®Fix camera plates

⁽⁴⁾ Dual-Base are compatible with monoball®Fix and monoball®Classic quickset devices